



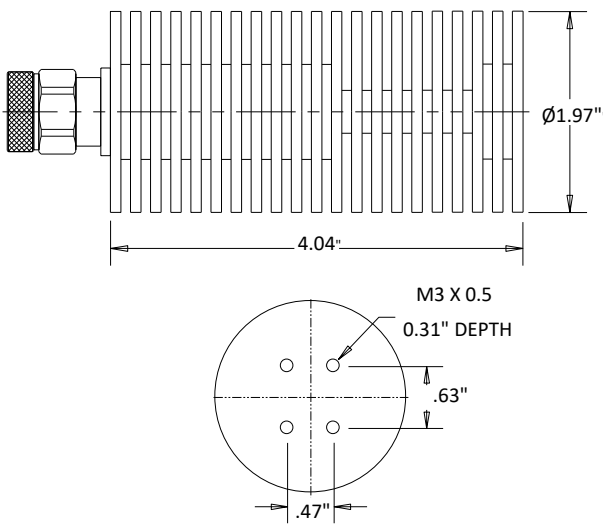
DC - 3.0 GHz.

Model: C3N501



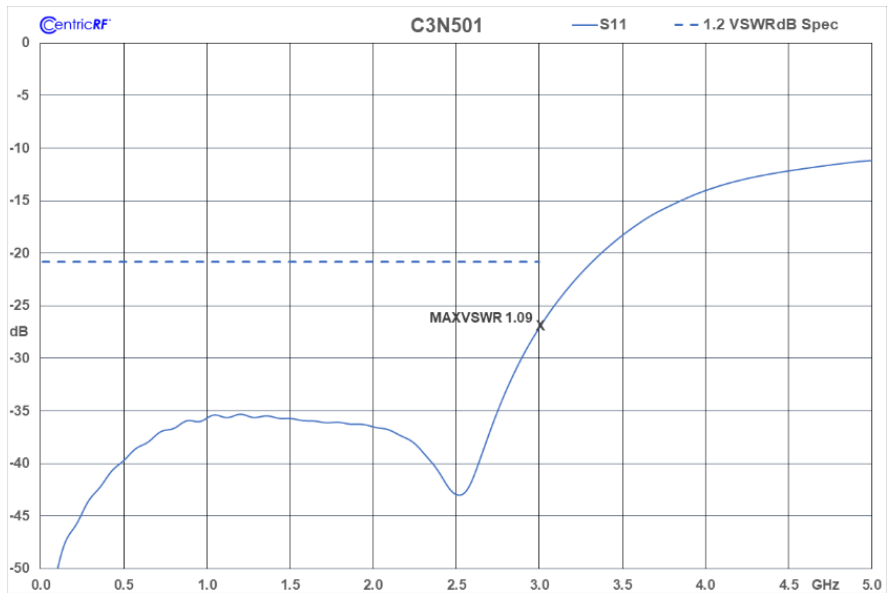
P3's Coaxial "N" Type Terminations are used commonly to terminate open ports to maintain a good 50Ω impedance and to absorb up to an average power of 50 watts CW. This product offers an excellent VSWR of 1.20 Max. from DC-3.0 Ghz. Other applications include use in a test lab for multi-port terminators when taking measurement. The The Brass/ Tri-Alloy plating construction is rugged and reliable and has outstanding environmental specifications. P3 also offers a complete series of higher power terminations and attenuator's.

Outline



Performance Data

Return Loss/VSWR



ENVIRONMENTAL SPECIFICATION

Thermal Shock: MIL-STD-202, Method 107, Condition B
 Moisture Resistance: MIL-STD-202, Method 106
 Salt Fog Test: MIL-STD-202, Method 101, Condition B
 Vibration: MIL-STD-202, Method 204, Condition D
 Shock: MIL-STD-202, Method 213, Condition I
 Connectors: MIL-STD-348B

ELECTRICAL SPECIFICATION

Frequency Range: DC - 3.0 GHz.
 Impedance: 50 Ω
 VSWR: <1.20:1 Max.
 Operating Temp.: -45° C to +85° C

MECHANICAL SPECIFICATION

Body: Connector: Tri-Plated Brass
 "N" Type: "N" Plug Brass
 Center Contact: Gold Plated
 Dielectric: PTFE
 Storage Temp.: -55° C to +125° C

For more information Contact Sales: sales@p3-rf.com